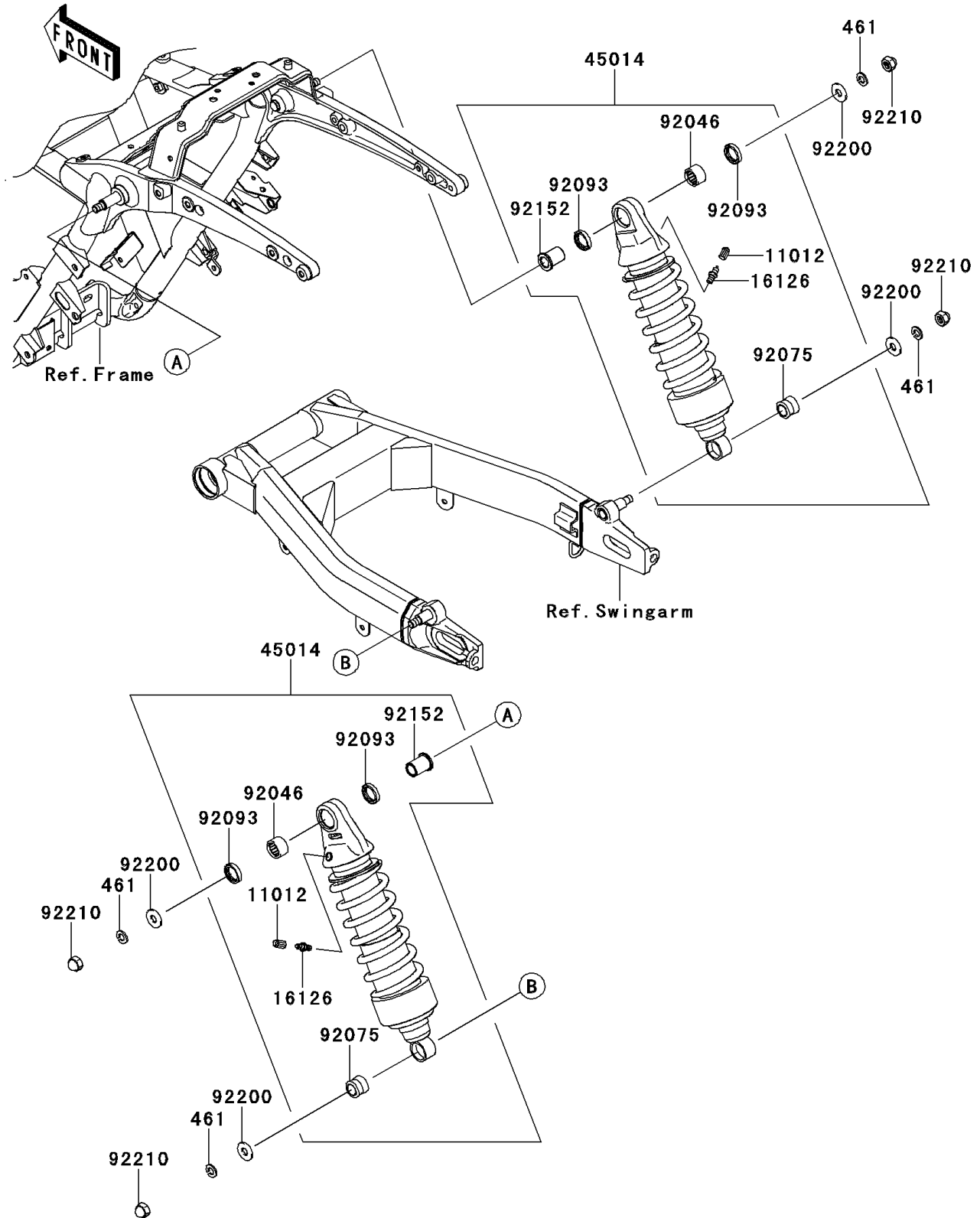


## 2014 PARTS DIAGRAM

Suspension/Shock Absorber

F2151



## 2014 PARTS LIST

Suspension/Shock Absorber

| ITEM NAME                          | PART NUMBER | QUANTITY |
|------------------------------------|-------------|----------|
| WASHER-SPRING,10MM (Ref # 461)     | 461S1000    | 1        |
| CAP (Ref # 11012)                  | 11012-1283  | 1        |
| VALVE,AIR (Ref # 16126)            | 16126-0013  | 1        |
| SHOCKABSORBER (Ref # 45014)        | 45014-0210  | 1        |
| BEARING-NEEDLE (Ref # 92046)       | 92046-1296  | 1        |
| DAMPER,SHOCKABSORBER (Ref # 92075) | 92075-1387  | 1        |
| SEAL (Ref # 92093)                 | 92093-1552  | 1        |
| COLLAR (Ref # 92152)               | 92152-1336  | 1        |
| WASHER,10.5X26X2.5 (Ref # 92200)   | 92200-1565  | 1        |
| NUT,CAP,10MM (Ref # 92210)         | 92210-1128  | 1        |