

Kawasaki

Assembly Instructions

Part Number	Description	Model	Approx. Assembly Time
KAF080-061	Rear Panel Kit, Hard Cabin	MULE PRO (SINGLE ROW)	120 Minutes

▲ WARNING

Improper installation of this accessory could result in an accident causing serious bodily injury or death. To prevent an accident, be sure that this accessory is properly and securely installed on your vehicle. If you cannot properly install this accessory yourself, have a professional installer, such as an authorized Kawasaki dealer, install it for you.

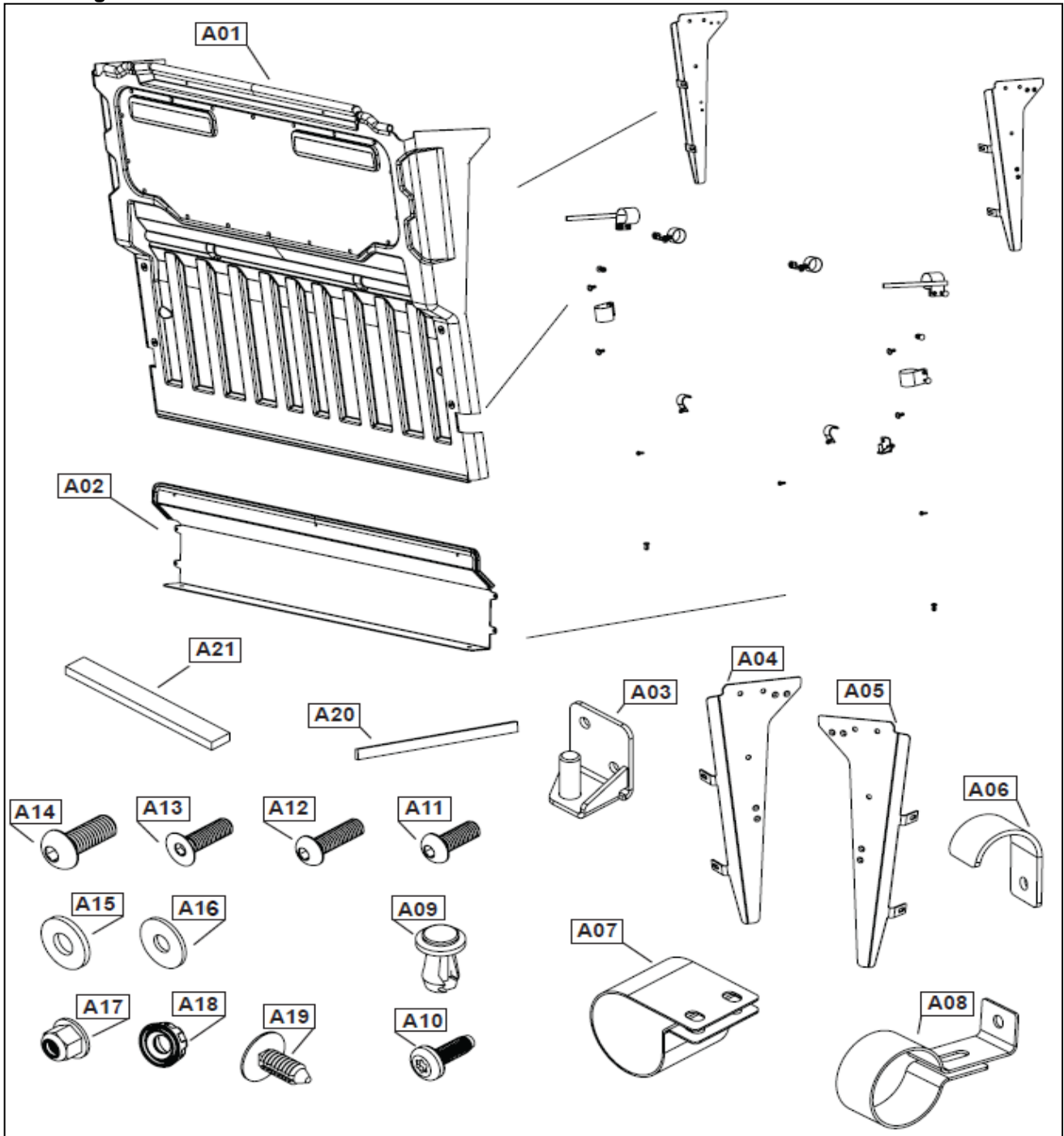
Prior to each use, check to be sure the accessory is securely attached to the vehicle and periodically inspect the accessory for any required adjustment, wear, and damage.

Note: Kawasaki Genuine Accessory Hard Cab Roof Kit (part number KAF080-060), Door kit (part number KAF080-062) and Full Windshield (part number KAF080-001 (plastic) or KAF080-041 (glass)) are required for a complete cabin.

Parts List:

Ref. #	Description	Qty
A01	Upper Rear Panel	1
A02	Lower Rear Panel	1
A03	Support Rod Bracket	1
A04	B-pillar Bracket, Right	1
A05	B-pillar Bracket, Left	1
A06	Hook Bracket	2
A07	Strap Clamp	4
A08	Rear Panel Clamp	2
A09	Plastic Rivet	2
A10	6 mm Self Tapping Screw	3
A11	6 mm x 15 mm Button Head Bolt	2
A12	6 mm x 20 mm Button Head Bolt	6
A13	6 mm x 20 mm Countersunk Bolt	4
A14	8 mm x 20 mm Button Head Bolt	4
A15	8 mm Washer	4
A16	6 mm Fender Washer	8
A17	6 mm Locking Flanged Nut	8
A18	Plastic Nut	6
A19	Plastic Rivet, Ribbed Shank	6

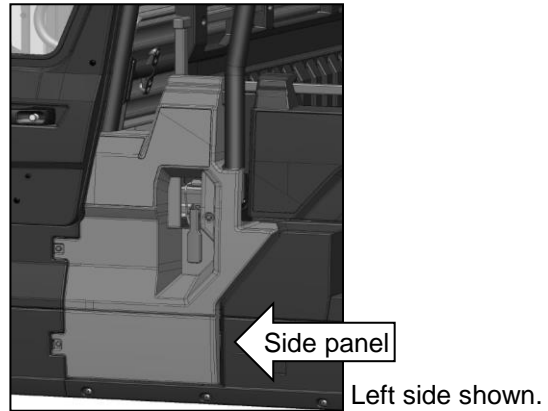
Parts Diagram:



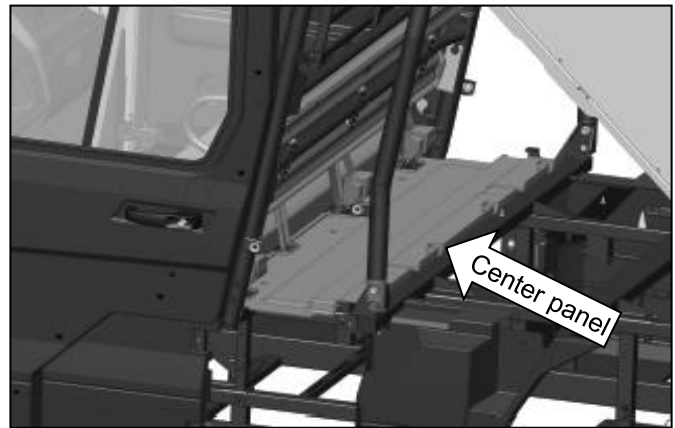
Installation Instructions:

1. Park the vehicle on level ground, set the parking brake, turn off the ignition switch. Tilt the cargo bed into the up position.

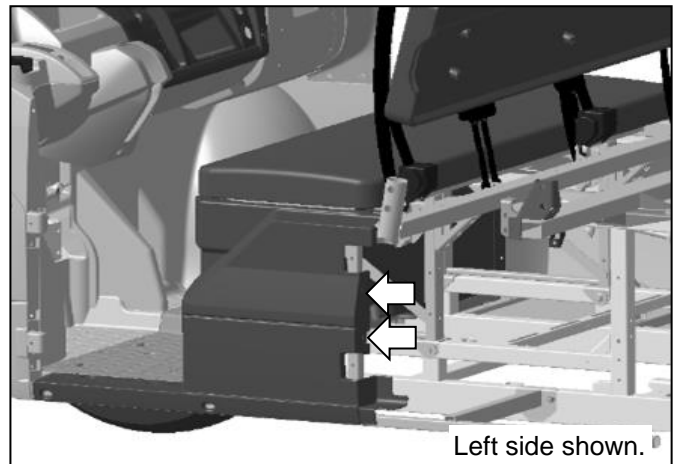
2. Remove the left and right side panels from the vehicle. Set the panels and hardware aside. They will be re-installed later.



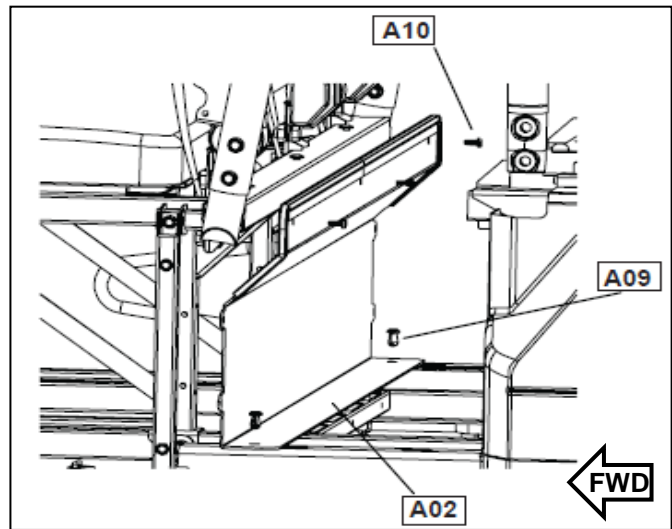
3. Remove the center panel. Set the center panel and hardware aside. It will be re-installed later.



4. Remove the four screws holding the forward side panels. Re-install these screws after the lower rear panel has been set in place.



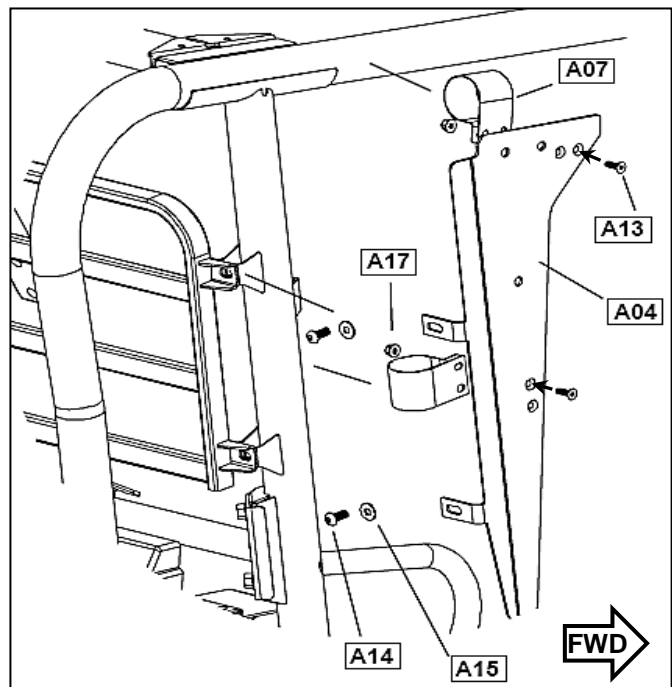
5. Place the lower rear panel (A02) into position. Using the lower rear panel as a template, drill three 5 mm (.196 in) holes across the top. Install three 6 mm self tapping screws (A10). Drill two 8 mm (5/16 in) holes on the bottom of the lower panel. Install two plastic rivets (A09).



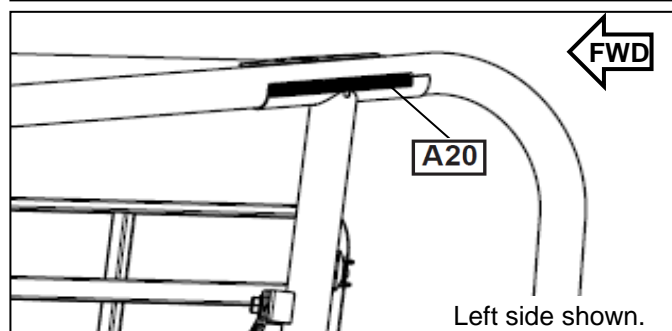
6.1. Remove the two 8 mm screws holding the bed screen on the right side of the vehicle (the screws will not be reused). Place the right B-pillar bracket (A04) into position. Install two 8 mm x 20 mm button head bolts (A14) and two 8 mm washers (A15). Do not fully tighten until all hardware is installed.

6.2. Install two strap clamps (A07) to the frame tubes. Attach each strap clamp to the right B-pillar bracket using two 6 mm x 20 mm countersunk bolts (A13) and two 6 mm locking flanged nuts (A17). Only install one countersunk bolt and nut for each strap clamp. Tighten all right B-pillar bracket hardware.

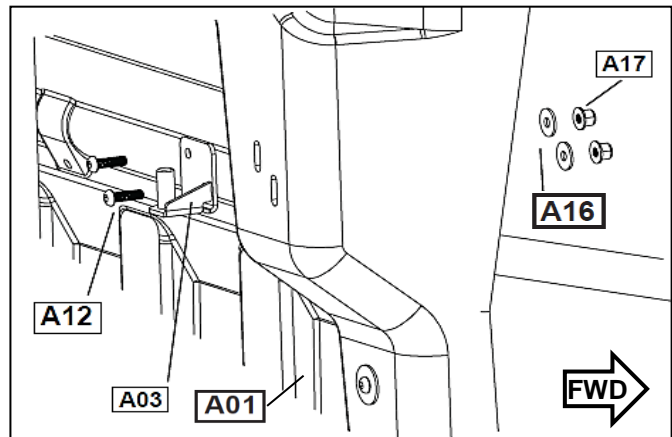
6.3. Repeat steps 6.1 and 6.2 on the left side of the vehicle to install the left B-pillar bracket (A05).



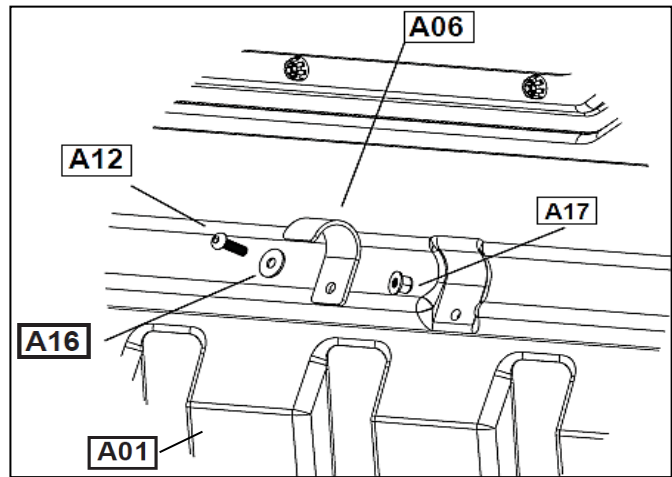
7. Cut trim strip (A20) into two 175 mm (7 in) length strips. Install on to the frame tube as shown.



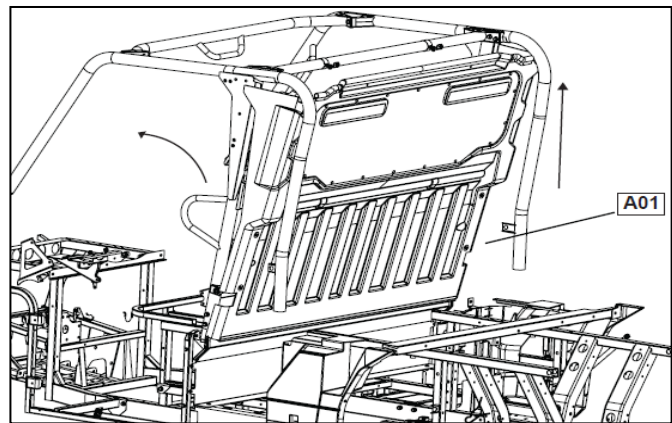
8. Install the support rod bracket (A03) using two 6 mm x 20 mm button head bolts (A12), two 6 mm fender washers (A16) and two 6 mm locking flanged nuts (A17) to the rear side of upper rear panel (A01).



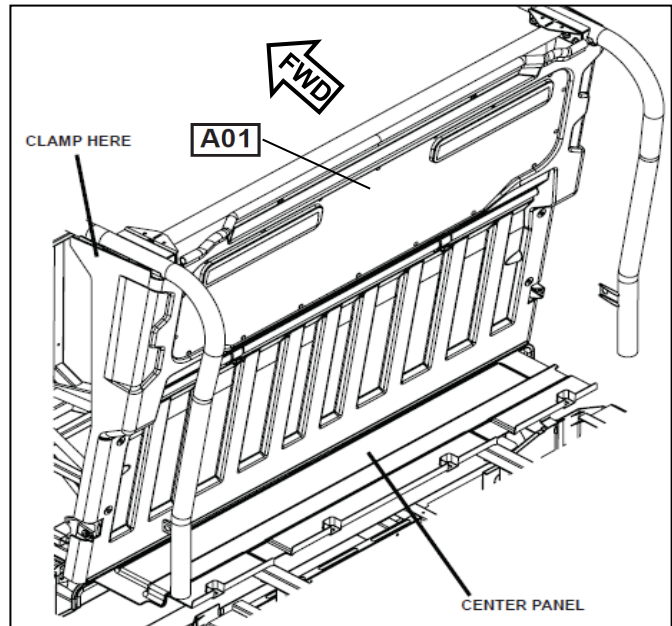
9. Install two hook brackets (A06) using two 6 mm x 20 mm button head bolts (A12), two 6 mm fender washers (A16) and two 6 mm locking flanged nuts (A17) to the front side of upper rear panel (A01).
Do not fully tighten until the upper rear panel is in position.



10. With two people, lift the upper rear panel (A01) into position. The hook brackets (A06) will help hold it in position.

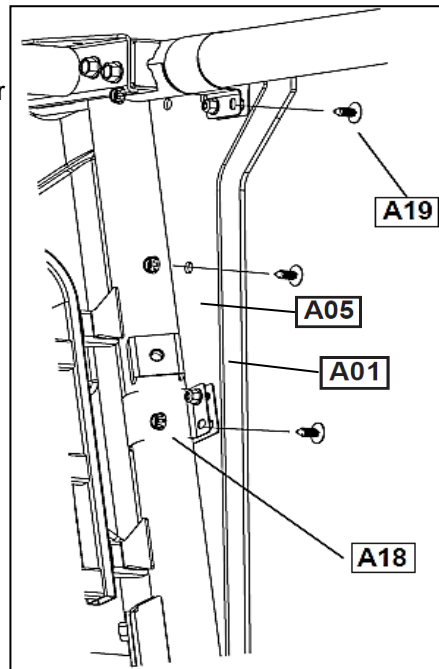


11. Slide the center panel back into position while lifting up on the upper rear panel (A01). Re-install the original center panel hardware that was removed in step 3. After the center panel is installed, lower the upper rear panel and position it as far forward as possible and temporarily clamp it on the top left and top right as shown.

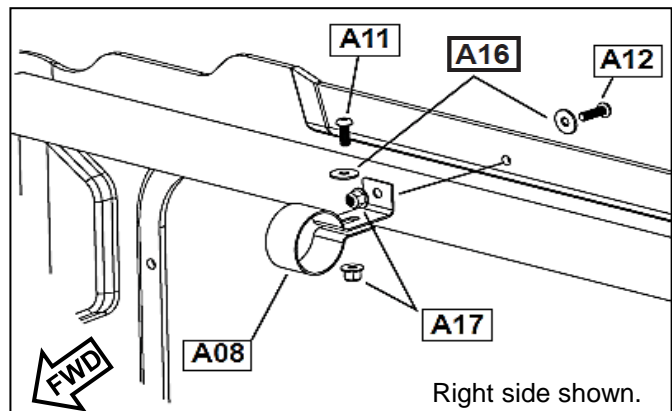


12.1. Using the left B-pillar bracket (A05) as a drill guide, drill three 6 mm (15/64 in) holes from the inside of the vehicle through the sides of the plastic upper rear panel (A01) as shown. Install three plastic rivets, ribbed shank (A19) and three plastic nuts (A18) as shown.

12.2. Repeat 12.1 on the right side of the vehicle using the right B-pillar bracket (A04) as a drill guide.



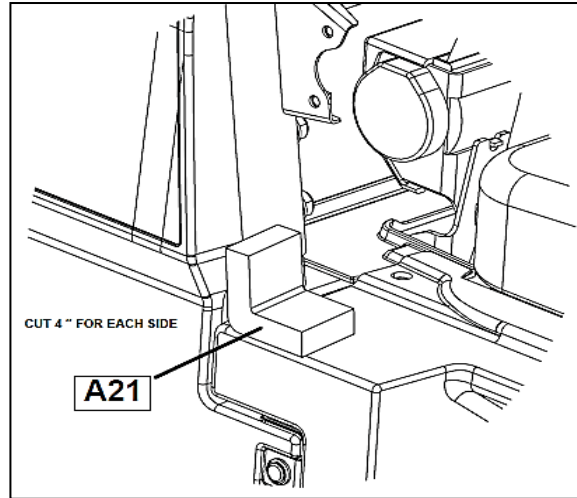
13. Install the rear panel clamps (A08) above the rear window as shown using one 6 mm x 20 mm button head bolt (A12), one 6 mm fender washer (A16) and one 6 mm locking flanged nut (A17) for each clamp. Use 6 mm x 15 mm button head bolt (A11), one 6 mm fender washer (A16) and one locking flanged nut (A17) to secure the clamp around the frame tube.



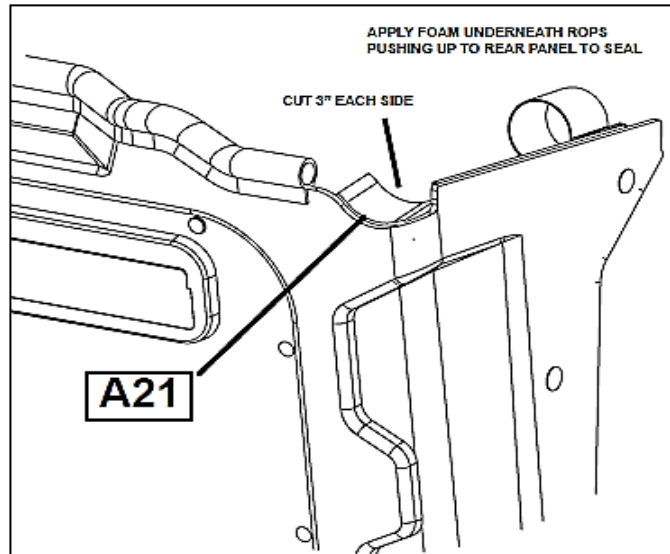
14. Tighten the two hook brackets (A06) installed in step 9. Remove the temporary clamps installed during step 11.

15. Re-install the left and right side panels that were removed in step 2.

16. Cut two 100 mm (4 in) pieces of foam strip (A21). Install in rear corner of door opening on each side of the vehicle.



17. Cut two 75 mm (3 in) pieces of foam strip (A21). Install one piece in each upper rear corner to seal the air gap. The foam strips should be applied to the frame tube bracket.



Please check / adjust all screws in regular intervals.