

Assembly Instructions

Model:	ZR900C/E
Description:	Oil Filler Cap
Part Number:	99994-1018/1105/1106
Flat Rate Time(Hr):	0.1

Before you begin, read through these instructions and check that all parts are present. Please note that Kawasaki cannot assume any responsibility for damage resulting from incorrect installation.

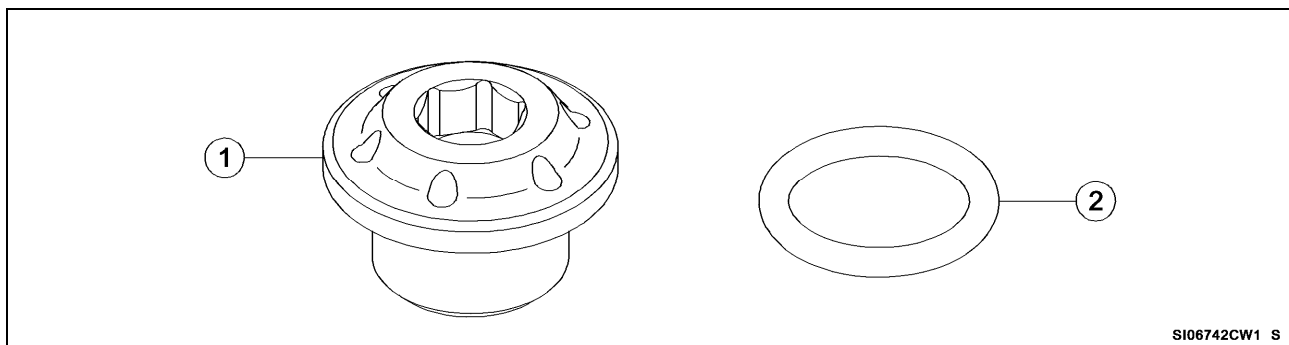
Kawasaki recommends that all genuine accessories should be fitted by an authorized Kawasaki dealer.

The following symbols indicate the information for proper installation and operation in this instruction.

- Indicates a procedural step or work to be done.

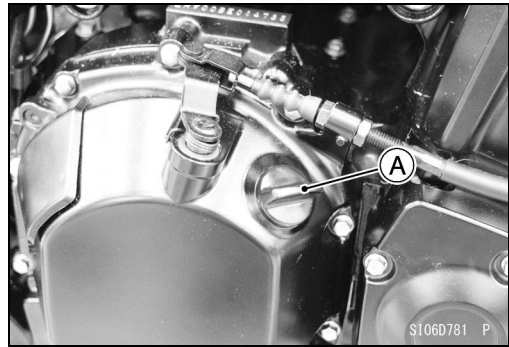
Parts List				
No.	Component Name	Part No.	Qty	Remark
1	Oil Filler Cap *1	16115-0034	1	Silver
		16115-0035		Black
		16115-0036		Gold
2	O-ring	670B2020	1	

*1: The oil filler cap has different colors depending on the part number.

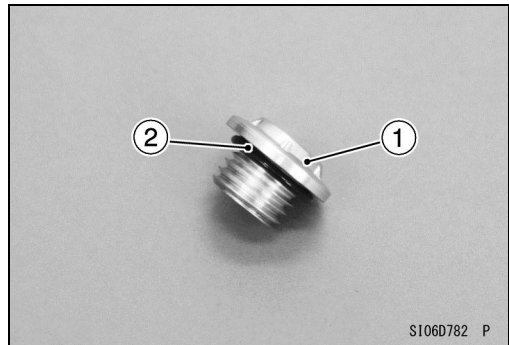


Installation Instructions

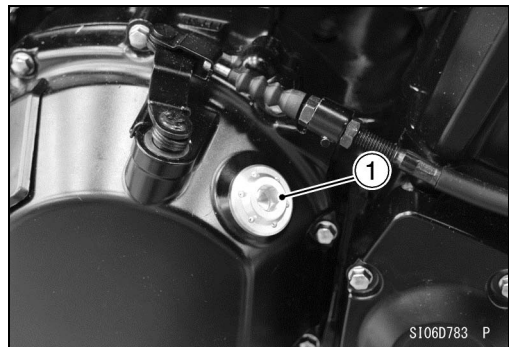
- Remove the oil filler plug [A].



- Install the O-ring to the oil filler cap [1].
- Apply grease to the O-ring [2].



- Tighten the oil filler cap [1] securely.



Check tightness of all fasteners in regular interval. Retighten loose fasteners.