

Kawasaki

Assembly Instructions

Part Number	Description	Model	Approx. Assembly Time
99994-1071	LED Headlights	MULE PRO	60 minutes

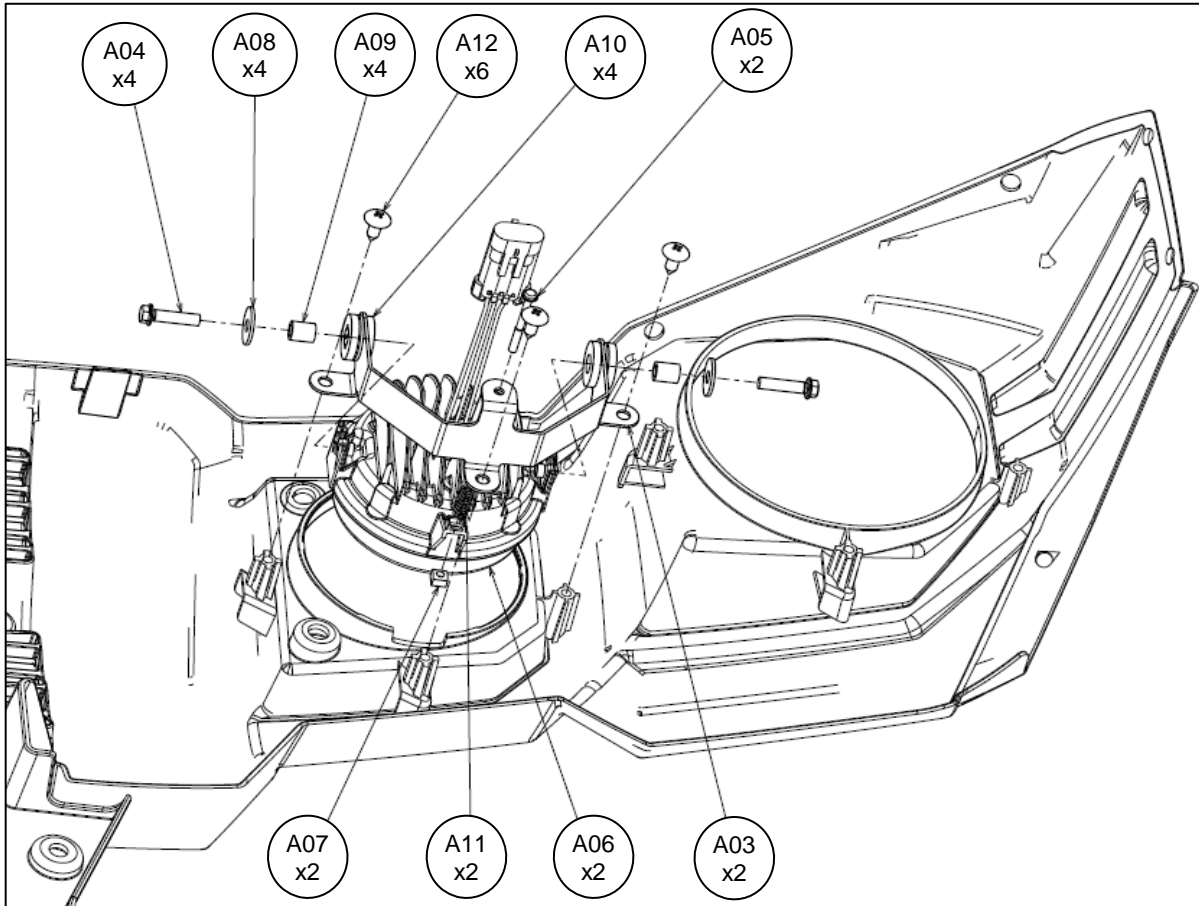
Before you begin, read through these instructions and check that all parts are present. Please note that Kawasaki cannot assume any responsibility for damage resulting from incorrect installation.

Kawasaki recommends that this accessory kit should be fitted by an authorized Kawasaki dealer.

Parts List:

Ref. #	Description	Qty
A01	Wire Harness	1
A02	Switch	1
A03	Bracket	2
A04	6 mm x 25 mm Flanged Bolt	4
A05	4 mm x 40 mm Screw	2
A06	LED Headlight	2
A07	4 mm Nut	2
A08	6 mm Washer	4
A09	6 mm Collar	4
A10	Damper	4
A11	Spring	2
A12	Screw, Self Tapping	6
A13	6 mm Clip Nut	4
A14	Wire Tie	2

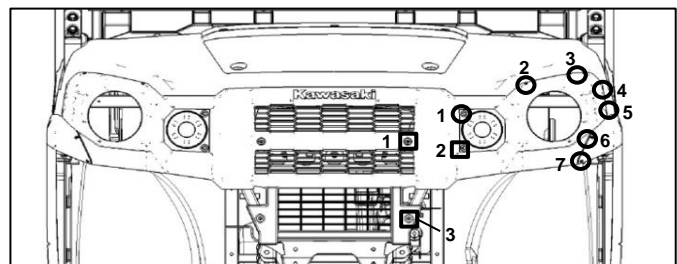
Parts Diagram:



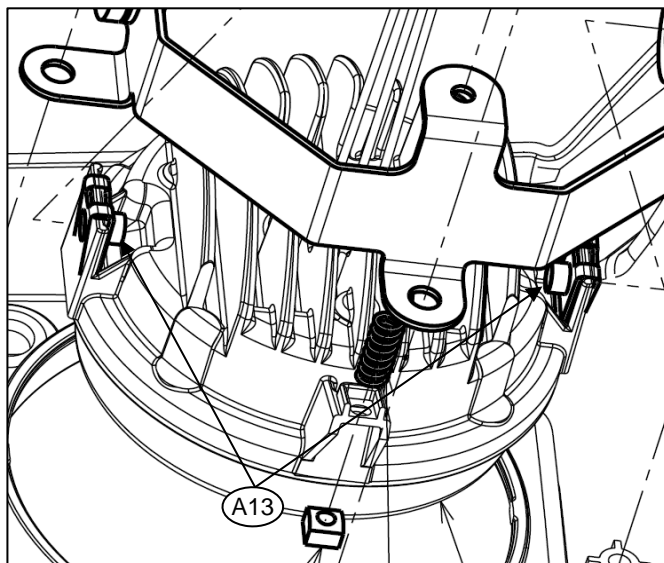
Installation Instructions:

1. Park the vehicle on level ground, set the parking brake, turn off the ignition switch.

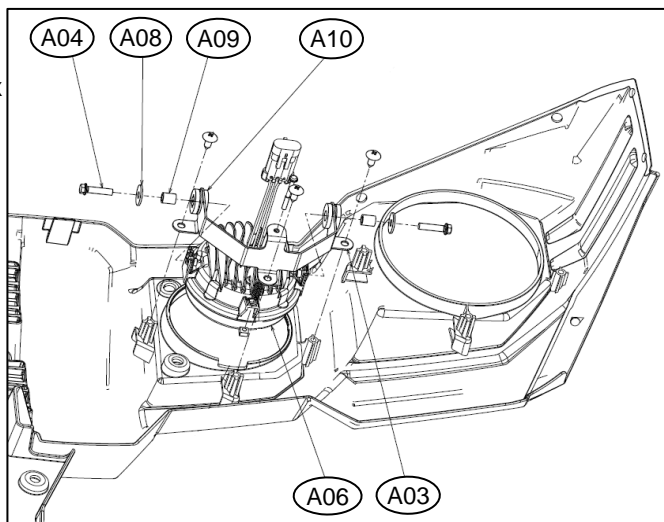
2. Remove the headlight grill from the vehicle by removing seven plastic rivets on each side (●), three screws on each side (■) and unplugging the stock headlights.



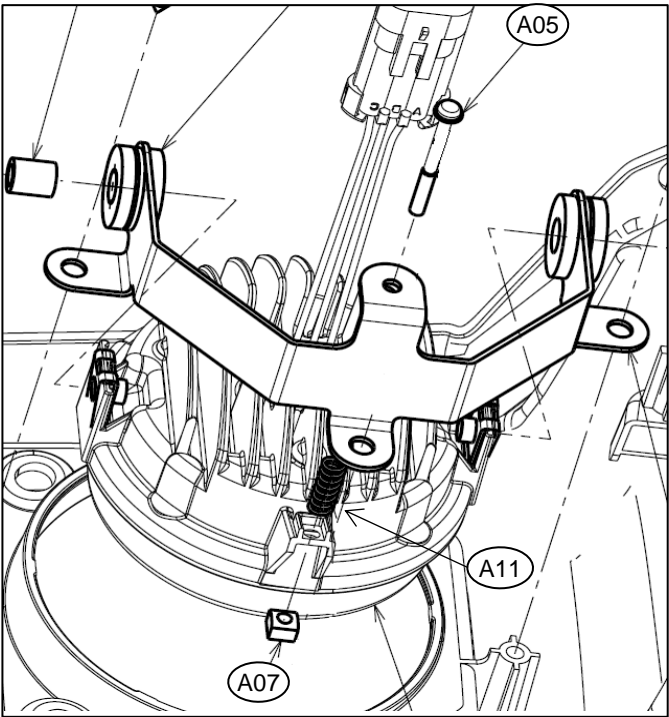
3. Install a clip nut (A13) to each side of each of the two LED headlights (A06).



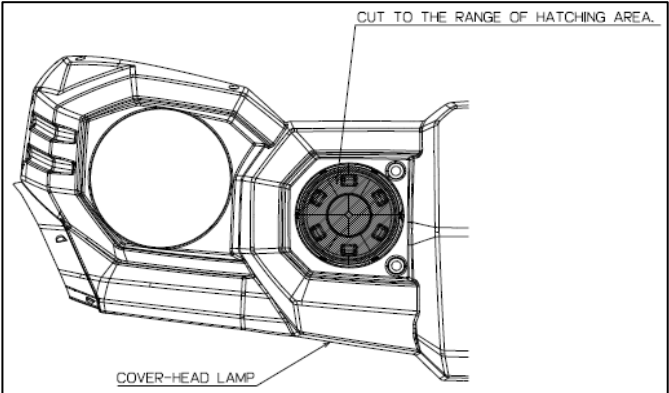
4. install an LED headlight (A06) to each of the two brackets (A03) using two dampers (A10), two 6 mm collars (A09), two 6 mm washers (A08) and two 6 mm x 25 mm flanged bolts (A04).



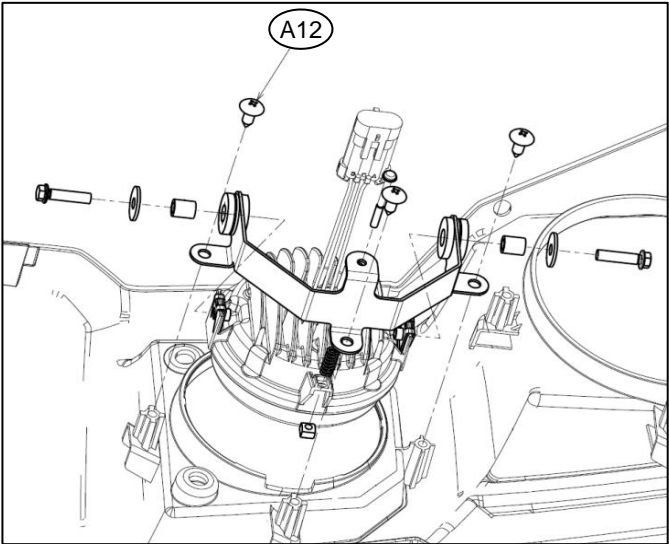
5. Install one 4 mm x 40 mm screw (A05), spring (A11) and 4 mm nut (A07) to each of the two LED headlight and bracket assemblies.



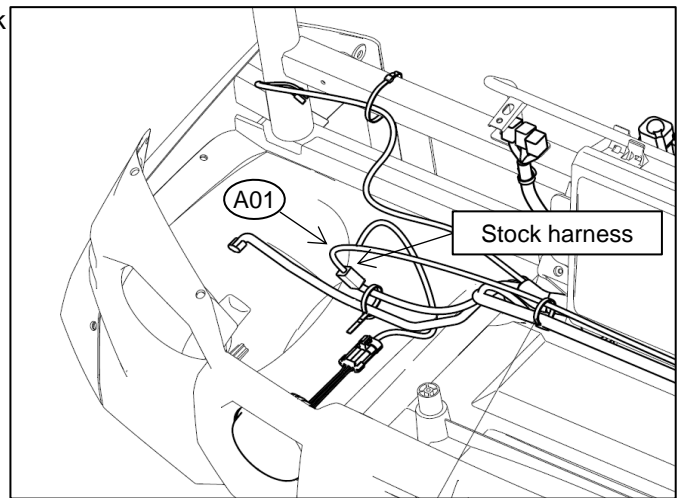
6. Use a small saw to cut out the panel for the LED headlight location on the left and right sides.



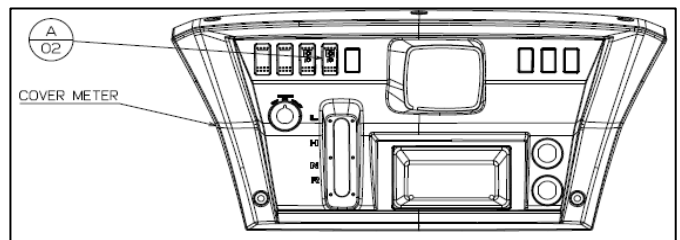
7. Install the left and right headlight assemblies to the back side of the headlight grill using three self tapping screws (A12) on each side.



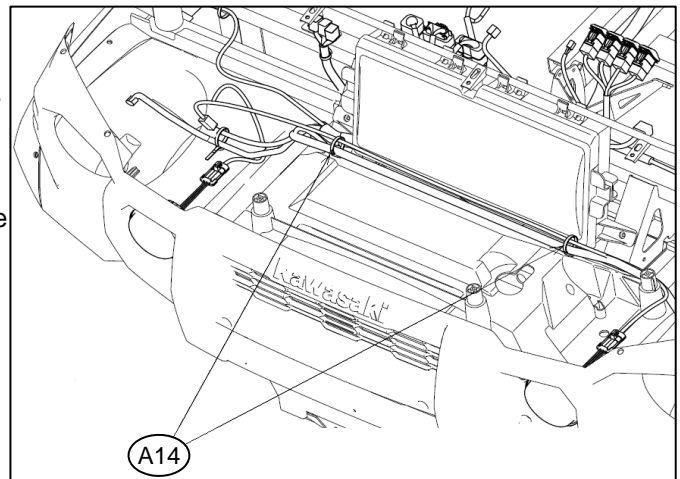
8. Plug in the accessory wire harness (A01) to the stock wiring harness at the location shown.



9. Use a dremel or similar tool to remove one of the switch knock-outs on the dash panel. Install the switch (A02) to the dash panel and plug the remaining end of the accessory wire harness to the switch.



10. Route the accessory wire harness as shown, towards the drivers side. Secure to the stock wire harness at the locations shown with two wire ties (A14).



11. Reinstall the headlight grill to the vehicle. Plug in the left and right accessory headlights to the accessory wire harness.

Please check / adjust all screws in regular intervals.