

## Assembly Instructions

Model:	ZX1002A/B
Description:	Low Seat (Standard)
Part Number:	99994-1065
Flat Rate Time(Hr):	0.1

**Before you begin, read through these instructions and check that all parts are present. Please note that Kawasaki cannot assume any responsibility for damage resulting from incorrect installation.**

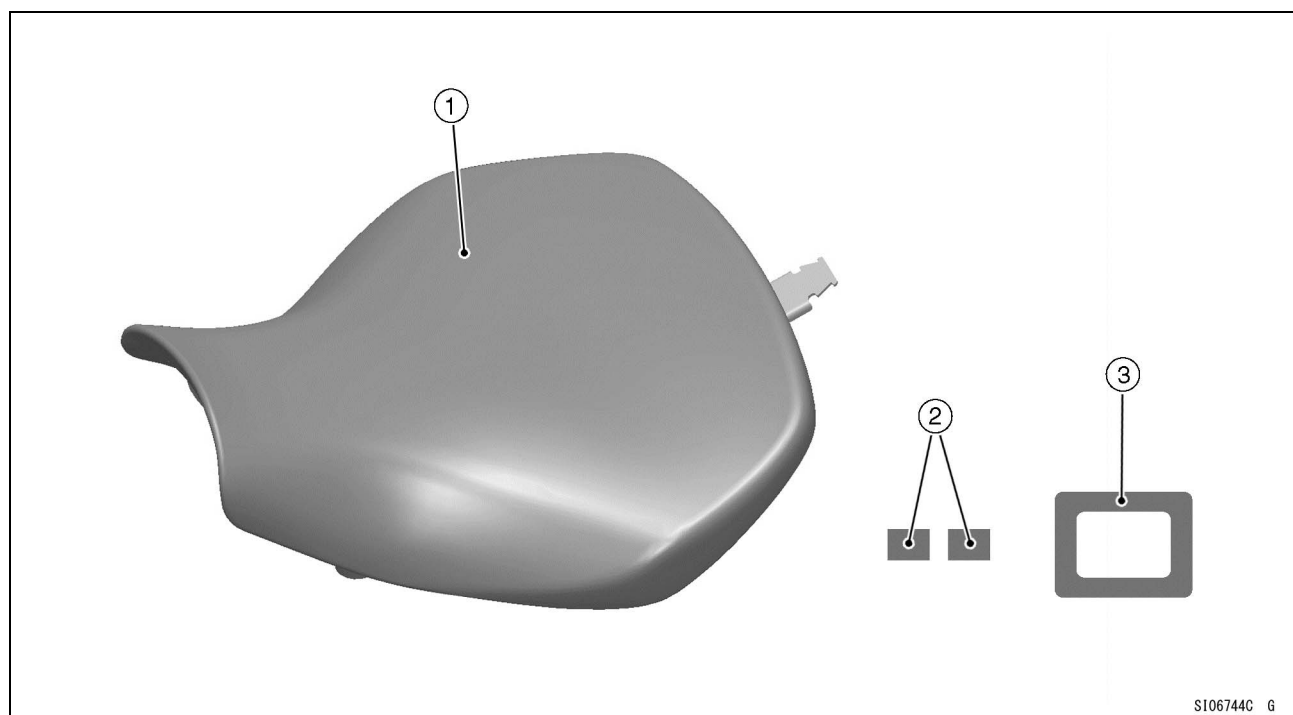
**Kawasaki recommends that all genuine accessories should be fitted by an authorized Kawasaki dealer.**

The following symbol indicates the information for proper installation and operation in this instruction.

- Indicates a procedural step or work to be done.

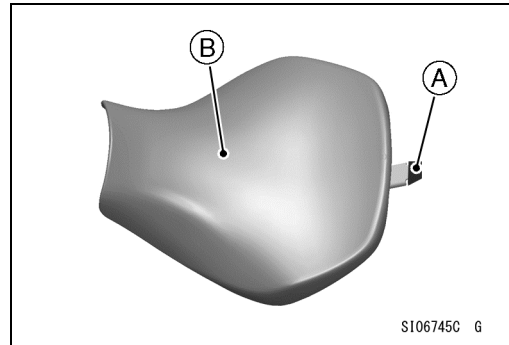
Refer to the Service Manual (P/No.: 99924-1539-01) for detailed procedures.

Parts List				
No.	Component Name	Part No.	Qty	Remark
1	Seat	53066-0595	1	
2	Pad	39156-1784	2	
3	Pad	39156-2342	1	

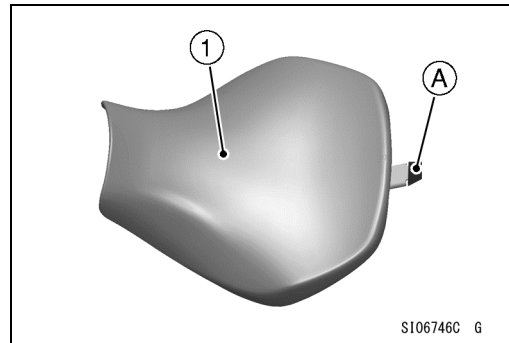


## Installation Instructions

- Remove the rear and front seats (Refer to the Service Manual).
- Remove the damper [A] from the removed front seat [B].



- Install the removed damper [A] to the front seat [1].



- Using a high flash-point solvent, clean off any oil or dirt that may be on the front seat [1]. Dry them with a clean cloth.
- Remove each pad [2] [3] from the release paper.
- Put each pad [2] [3] on the front seat [1] as shown.
- Install the front and rear seats (Refer to the Service Manual).

