

# Kawasaki

## Assembly Instructions

Model:	ER650G/H, EX650J/K
Description:	Single Seat Cover
Part Number:	99994-0796-□□□ (□□□ is in the color codes.)
Flat Rate Time(Hr):	0.2

**Before you begin, read through these instructions and check that all parts are present. Please note that Kawasaki cannot assume any responsibility for damage resulting from incorrect installation. Kawasaki recommends that all genuine accessories should be fitted by an authorized Kawasaki dealer.**

Installation of this product will affect the passenger capacity.  
Confirm your local regulations before installation.

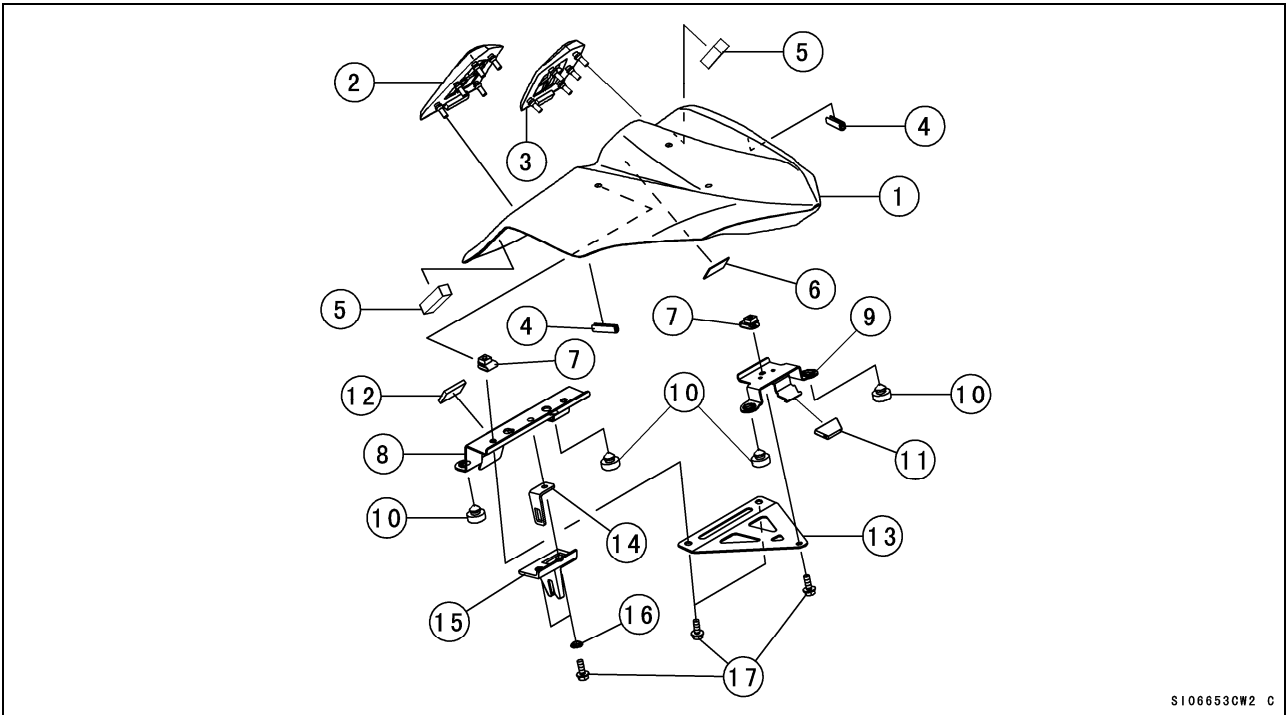
The following symbols indicate the information for proper installation and operation in this instruction.

**NOTE** : *NOTE indicates information that may help or guide you in the operation or service of the vehicle.*

- Indicates a procedural step or work to be done.
- Indicates a procedural sub-step or how to do the work of the procedural step it follows. It also precedes the text of a NOTE.

Refer to the following Service Manual for detailed procedures.  
ER650G/H: P/No.: 99924-1516-01  
EX650J/K: P/No.: 99924-1517-01

Parts List				
No.	Component Name	Part No.	Qty	Remark
1	Single Seat Cover	53065-0039-□□□	1	□□□ is in the color codes.
2	Damper	92161-1855	1	Left
3	Damper	92161-1856	1	Right
4	Trim	53044-0001	2	
5	Pad	39156-0978	2	
6	Pad	39156-2199	1	t = 1 mm (0.04 in.)
7	Nut	92210-0277	3	6 mm (0.2 in.)
8	Bracket	23062-0907	1	
9	Bracket	23062-0914	1	
10	Damper	92161-0855	4	
11	Damper	92161-0629	1	
12	Pad	39156-0705	1	t = 4 mm (0.16 in.)
13	Bracket	11057-0808	1	
14	Bracket-lock	32074-0017	1	
15	Cover	14092-0248	1	
16	Collar	92152-0250	2	
17	Bolt	130BA0616	5	M6 × 16 mm (0.6 in.)



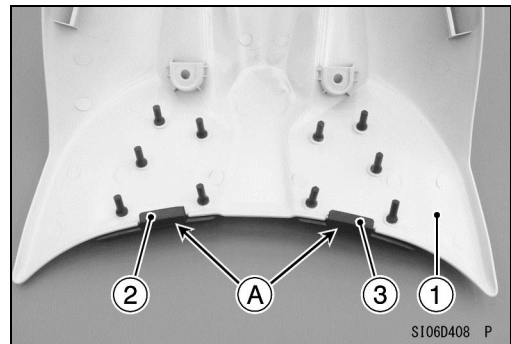
S106653CW2 C

### Installation Instructions

#### NOTE

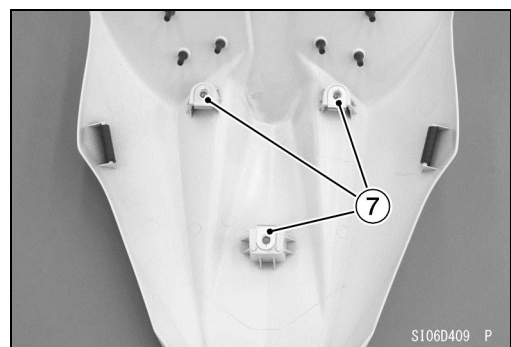
○ In order to protect the single seat cover from being damaged, do the work on a soft material such as cloth.

- Put the single seat cover [1] upside down.
- Install dampers [2] [3] to the single seat cover [1] correctly.
- Hook the front part [A] of damper [2] [3] on the single seat cover as shown.



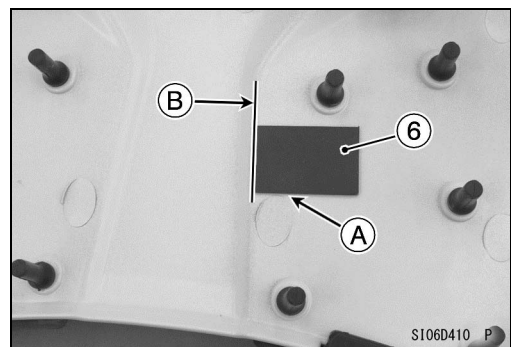
S106D408 P

- Insert the nuts [7] on the single seat cover as shown.
- The thread side of the nut faces single seat cover.



S106D409 P

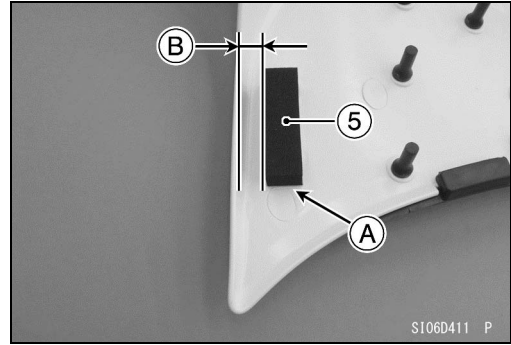
- Paste the pad [6] to the single seat cover.
- Align the pad at the end of elliptical mark [A] on the single seat cover.
- Align the pad with the end of corner [B].



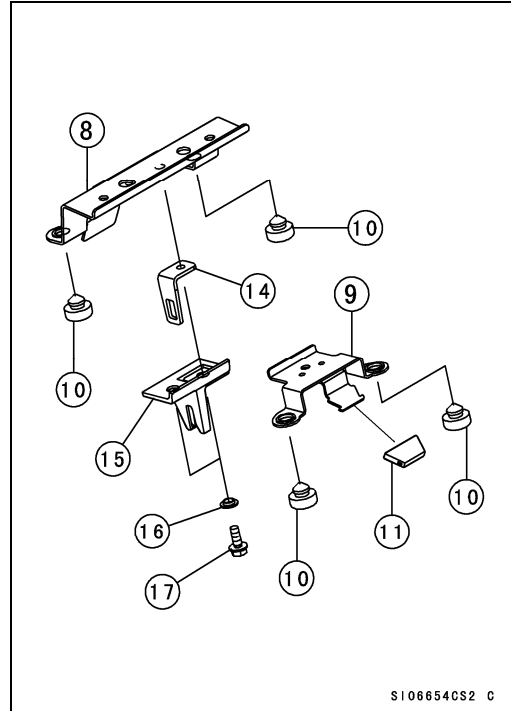
S106D410 P

- Paste the pads [5] to the single seat cover (both sides).
- Align the pads at the end of elliptical mark [A] on the single seat cover.

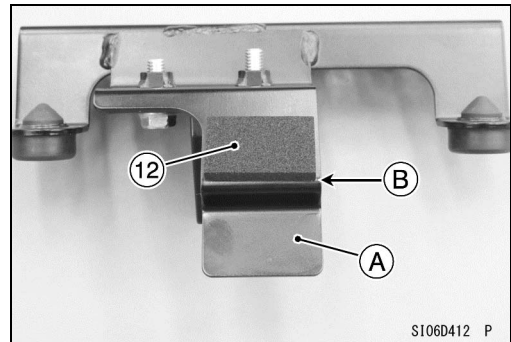
8 mm (0.31 in.) [B]



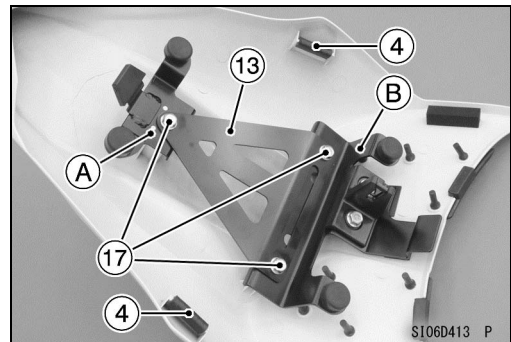
- Install the dampers [10] [11] on the brackets [8] [9].
- Install the bracket-lock [14], cover [15] and collars [16] on the bracket.
- Tighten the bolts [17].



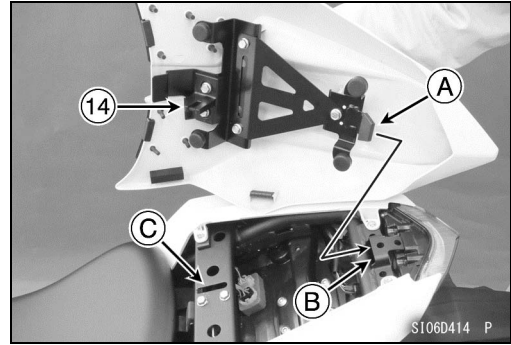
- Paste the pad [12] on the bracket assy [A] as shown.
- Align the pad with the end of corner [B].



- Install the trims [4] on the single seat cover as shown.
- Install the bracket assy [A] [B] and the bracket [13].
- Tighten the bolts [17].



- Remove the rear seat (Refer to the Service Manual).
- Insert the hook [A] of the bracket assy into the frame hole [B].
- Insert the bracket-lock [14] into the latch hole [C].
- Push down the front part of the single seat cover until the lock clicks.



### Basic Torque for General Fasteners

The table below, relating tightening torque to thread diameter, lists the basic torque for the bolts and nuts. Use this table for only the bolts and nuts which do not require a specific torque value. All of the values are for use with dry solvent-cleaned threads.

Threads dia. (mm)	Torque		
	N·m	kgf·m	ft·lb
5	3.4 ~ 4.9	0.35 ~ 0.50	30 ~ 43 in·lb
6	5.9 ~ 7.8	0.60 ~ 0.80	52 ~ 69 in·lb
8	14 ~ 19	1.4 ~ 1.9	10 ~ 13.5
10	25 ~ 34	2.6 ~ 3.5	19 ~ 25
12	44 ~ 61	4.5 ~ 6.2	33 ~ 45
14	73 ~ 98	7.4 ~ 10.0	54 ~ 72
16	115 ~ 155	11.5 ~ 16.0	83 ~ 115
18	165 ~ 225	17.0 ~ 23.0	125 ~ 165
20	225 ~ 325	23.0 ~ 33.0	165 ~ 240

**Check tightness of all fasteners in regular interval. Retighten loose fasteners.**