

Assembly Instructions

Description:	Half Windshield	Model:	KRT750
Part-Number:	99994-0290	Approximate Assembly Time:	60 min.

Before you begin installation, read through the installation instructions and check to be sure all parts are present.

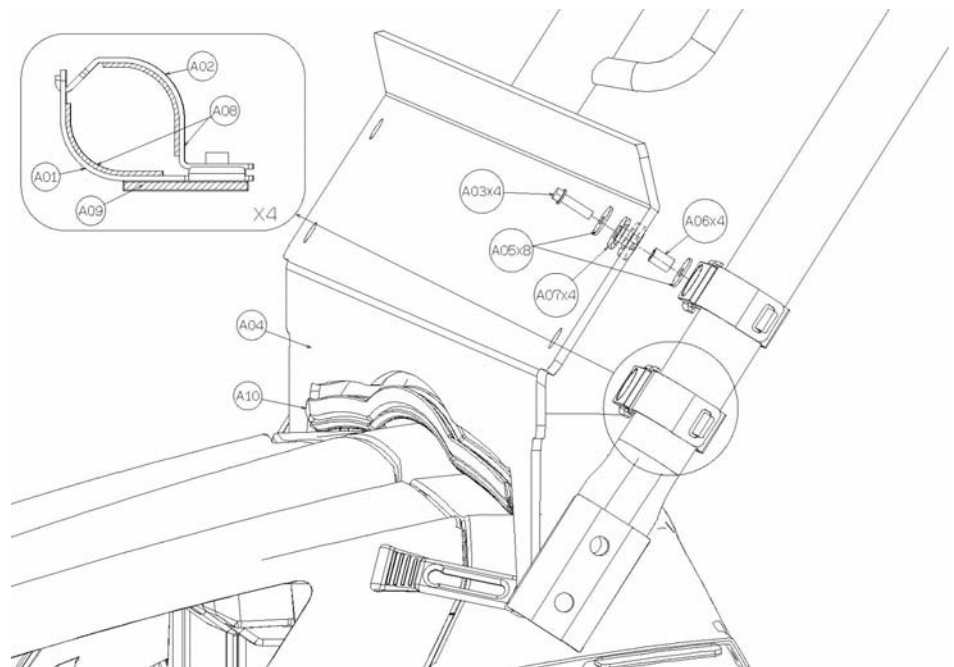
If you are in doubt as to any part of the installation, please ask your authorized Kawasaki dealer to complete the installation. Please note that Kawasaki cannot assume any responsibility for damage resulting from incorrect installation.

Installation Instructions

1. Apply the four adhesive dampers (A09) to the four brackets (A01) so that the holes in the dampers match the holes in the brackets as shown.
2. Apply four of the adhesive dampers (A08) to the four brackets (A01) as shown.
3. Apply the remaining four adhesive dampers (A08) to the four brackets (A02) as shown.
4. Apply the four adhesive dampers (A07) to each of the four mounting holes on the outside surface of the windshield as shown.
5. Apply the trim (A10), centered on the lower edge of the windshield as shown.
6. Install the windshield to the vehicle as shown using four bolts (A03), four collars (A06) and eight washers (A05).

Parts List

Ref. #	Part Number	Qty	Description
A01	11055-0913	4	BRACKET
A02	11055-0914	4	BRACKET
A03	132BB0635	4	BOLT-FLANGED-SMALL
A04	39154-0306	1	WINDSHIELD
A10	53044-0557	1	TRIM
A06	92027-156	4	COLLAR
A07	92075-1787	4	DAMPER
A08	92161-0644	8	DAMPER
A09	92161-0725	4	DAMPER
A05	92200-1087	8	WASHER



Please check / adjust all screws in regular intervals.